

Imaging solutions
for any size patient —
and any size budget.



VetTek[®]

V e t e r i n a r y X - R a y S y s t e m s

Universal

VetTek... We See Things Differently & It Shows In Your Image

Imagine a veterinary x-ray system so adaptable that it fits any office, any need and any budget. Universal's VetTek does all of this and still provides superior image quality across a wide range of large and small animal studies.

As a product family, VetTek is easy to operate, requires minimal floor space and is available in six different configurations — one of which is right for your practice or hospital.

VetTek Single Phase

- **A powerful 400 mA, 125 kVp single phase generator** is fully integrated into the table to provide a cost-effective and time-saving solution for the veterinarian who seeks maximum capability in minimal space.
- **Not 2 – Not 3 – But 4 mA Stations!** Unlike those that imitate us, we don't make you choose between a low mA station for avian studies, exotics and small animals, or a high mA station for the larger animals. You get both — a 50 mA and a 400 mA — with 100 mA and 300 mA in-between!
- **Tilt-out control panel** makes all generator controls quickly accessible and reduces operator errors and set-up time. Yes, it is fully water and fluid proof.
- **Universal's exclusive SurePrep** circuitry eliminates the hassles and frustrations associated with the traditional two-stage footswitch and manual actuation of the collimator light, while removing the guess work of knowing when an exposure can be initiated.
- **A lead-lined cassette storage box** built into the table front allows the clinician to remain at the table while changing cassettes during multi-view procedures. This unique feature not only saves time, but also wear and tear on the clinician as it greatly reduces the amount of walking back and forth during a procedure.
- **Electric locks** maximize operator efficiency, comfort and convenience by providing virtually effortless movement.





The Digital World — Your Options

The advent of digital imaging has created an overwhelming interest on the part of many veterinarians. As with radiographic equipment, there are multiple choices in capturing digital images. The following are brief descriptions of two of those means.

■ CR - Computed Radiography

An image is created with the use of a phosphor plate that replaces the conventional cassette and intensifying screens. The phosphor plate is placed in the cabinet. Once the exposure is made, the plate is removed from the table and placed into a reading device that scans and digitizes the image. After the image has been digitized, the plate is then erased for reuse. Some CR systems provide an automatic read/erase feature while other systems require that the technologist place the plate in one compartment to read the image and another compartment to erase the image.

■ DR - Digital Radiography

With DR, an electronic detector is permanently mounted in the cabinet and replaces the conventional cassette and intensifying screens. After making an exposure, the detector directly captures the image, which is then archived and displayed on the monitor. Once the image is captured, the detector is then ready for the next view.

Clearly there are many advantages to digital imaging. For most, the ability to manipulate and share the image electronically along with elimination of the darkroom are on the top of the list of reasons to consider digital imaging. Digital imaging is still in its growth stage and is expected to take hold as costs start to decline.

We have been providing DR imaging systems for several years. With the ever-changing technology we encourage you to call **800-800-6006** to discuss the latest options in digital imaging. Your digital future is bright with VetTek!



Excellence Comes Standard

Single-Phase Generator Specifications

- Output: 400 mA, 125 kVp, single phase.
- mA Stations: Four, dedicated for small animal practitioners. 50 and 100 mA on small focal spot for detail and 300 and 400 mA on large focal spot to reduce exposure time.
- Time Stations: Thirteen stations from 1/120th to 1 second provide fine tuning of techniques for rare earth imaging.
- Automatic Compensation of mA and kVp: Eliminates the need to manually adjust for line voltage fluctuations.
- Automatic tube protection circuitry
- Input voltage requirements: 208 - 277 volt single phase.

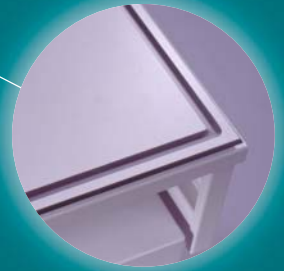
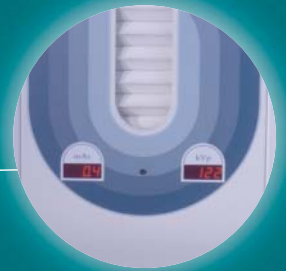
High-Frequency Generator Specifications

- Output: 500 mA - 125 kVp
- kW Rating: 30 kW
- mAs Range: 1.0 - 500 mAs
- Automatic line voltage compensation
- Automatic tube protection circuitry
- Input voltage requirements: 208 - 277 volt single phase or 208 - 480 volt three phase
- Digital readout of kVp & mAs selection and elapsed exposure time

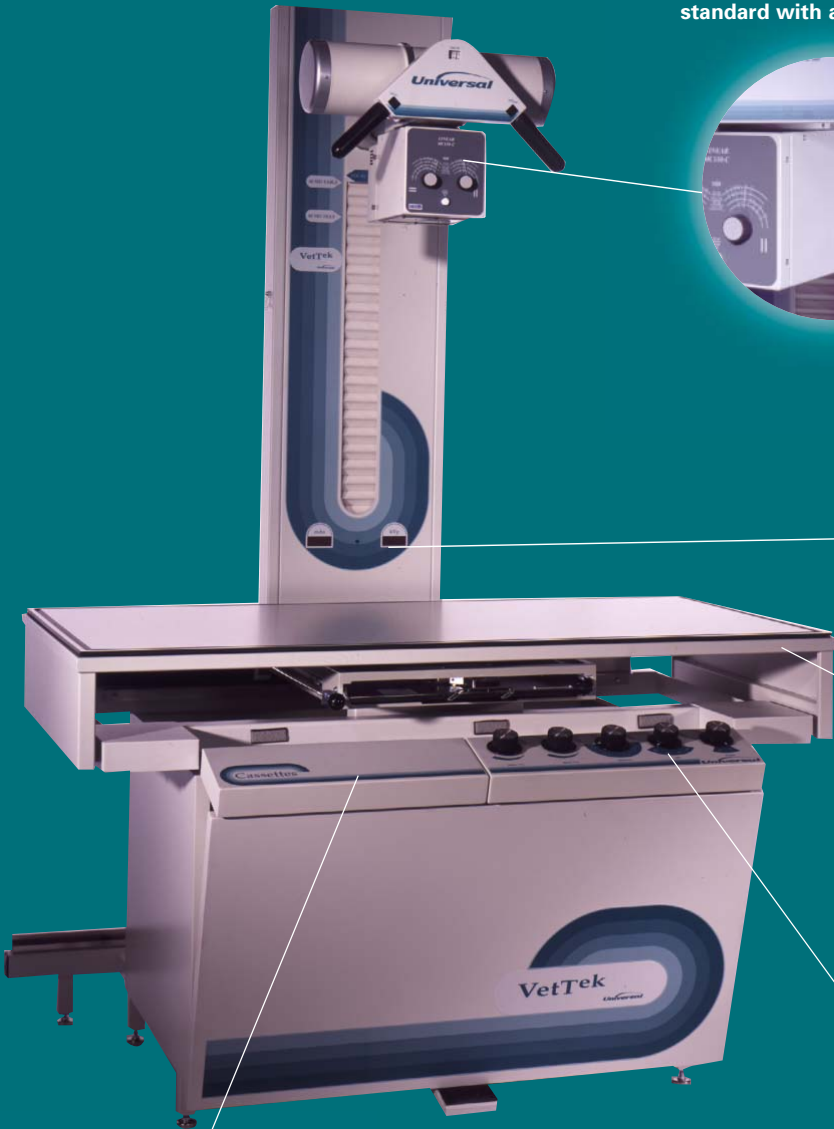
Built-in spare light bulb, SID measuring tape, 60 second light timer and swivel mount are standard with all VetTek systems.



Conveniently located, easy-to-read digital display of mAs & kVp with SurePrep LED.



Exclusive urine trap feature surrounds the entire table top, virtually eliminating fluids from running off the sides.



A standard, built-in cassette box eliminates the time wasted and operator fatigue of walking back and forth.

With SurePrep circuitry you simply tap the foot switch to begin a prep cycle and turn on the collimator light, position the animal, then depress the foot switch again to produce the x-ray.



From finches to St. Bernards, our four standard mA stations allow you to image them all.

VetTek Table Configurations

- Designed for those practitioners that want a rugged, yet economical, system that will perform for many years to come — the basic VetTek table configuration provides a stationary top with our exclusive urine trap feature, a movable tubestand and variable SID that allows the tube to be positioned down to table-top level to facilitate fluid level studies and other standing lateral procedures.
- The VetTek Plus provides a two-way float top table system that offers a total of eight inches of cross-table travel (4" to the back of center and 4" to the front) with all of the exclusive and unique features of the basic VetTek. This system provides many of the benefits associated with a four-way float top table system at a more economical price.
- The VetTek Plus 4 provides the discerning veterinarian with the first four-way float top system, with integrated generator, dedicated to veterinary radiography. It adds longitudinal table top movement of eight inches (4" left and 4" right) to the eight inches of cross-table movement of the VetTek Plus. And the VetTek Plus 4 comes with a 30" x 68" table top surface to ensure that even the largest patients can be comfortably accommodated.

VetTek High Frequency

All VetTek table configurations — VetTek, VetTek Plus & VetTek Plus 4 — are available with a fully integrated 500 mA high frequency generator in place of the 400 mA single phase generator.

The VetTek HF series offers all the features of the VetTek single-phase series (with the exception of the lead-lined cassette box) along with the higher mR/mAs, state-of-the-art, high frequency technology. This provides the discerning veterinarian with a top-of-the-line radiology suite that is truly a cut above the rest.

The operator control panel of the VetTek High Frequency generator is completely integrated into the tube angulation assembly, which affords the operator the ease of positioning the control panel to eye level for convenient technique selection.



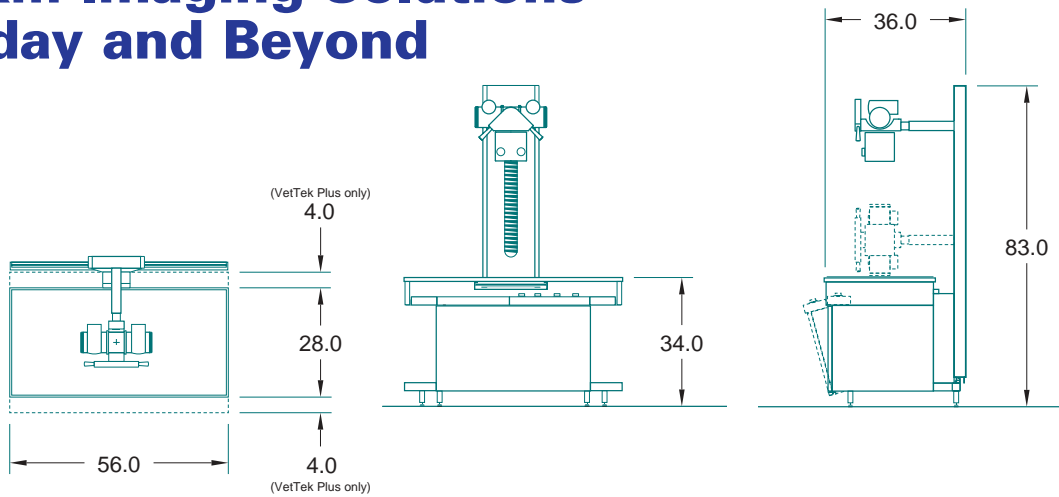
VetTek HF Plus 4
4-way float top with
high-frequency generator.

The VetTek HF series provides the veterinarian with increased mR/mAs for a given kVp when compared to single phase generators. This provides the clinician the choice of either reducing exposure times or using the extra penetrating power to radiograph the extremely large patient.

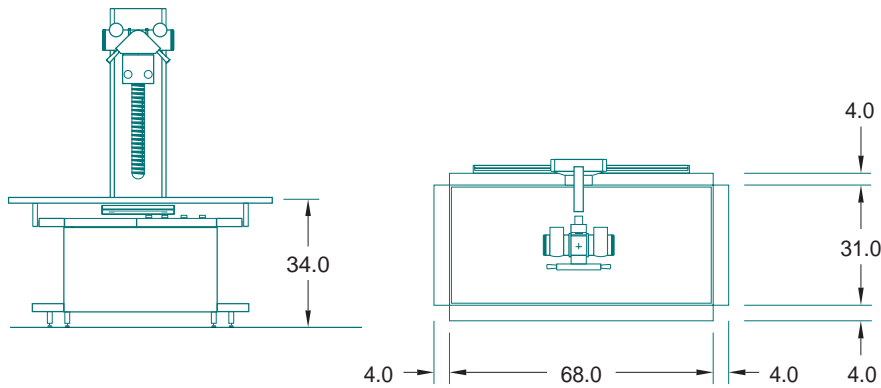
Improved Diagnostics and Safety for Less

VetTek provides you the ease and comfort of patient positioning normally associated with human medical systems that cost thousands of dollars more and require more floor space. Patient and operator safety is assured as the VetTek has surpassed the rigid safety standards and testing of Underwriters Laboratories, both electrically and mechanically, and bears the mark of being UL Classified.

VetTek... Imaging Solutions for Today and Beyond



VetTek & VetTek Plus



VetTek Plus 4



	400 mA Single Phase	500 mA High Frequency	Controls at Table	SurePrep Circuitry	Built-in Urine Trap	Electric Locks	Built-in Spare Collimator Bulb	Lead-lined Cassette Box	Stationary Top	2 Way Float Top	4 Way Float Top	Digital Compatible
VetTek 400	✓		✓	✓	✓	✓	✓	✓				✓
VetTek 400 Plus	✓		✓	✓	✓	✓	✓		✓			✓
VetTek 400 Plus 4	✓		✓	✓	✓	✓	✓			✓		✓
VetTek HF		✓	✓	✓	✓	✓		✓				✓
VetTek HF Plus		✓	✓	✓	✓	✓			✓			✓
VetTek HF Plus 4		✓	✓	✓	✓	✓				✓		✓

Made in U.S.A. – An ISO 13485 Certified Facility



www.delmedical.com

Serving the Veterinary Profession for Over 75 Years.

11550 West King Street ▪ Franklin Park, IL 60131 ▪ Phone 800.800.6006 ▪ Fax 847.288.7011

