



Visionary Imaging

# *Image-Vet 70<sup>®</sup> ACP*

*Veterinary Dental Intraoral X-ray System*



*The X-Ray  
Solution For  
Today's Dental  
Practice*

***AFP VETERINARY IMAGING SYSTEMS***

# The World's Leading Veterinary Dental Unit

- Superior Image Quality
- Enhanced Timer Features
- Smooth, Stable, Ergonomic Design
- Wall Mounted, Ceiling Mounted, or on Mobile Stand
- Compatible with all Digital Dental Imaging Systems

## The Image-Vet 70<sup>®</sup> ACP

Continues the tradition of the **70PLUS** as the standard of veterinary dental radiology.



### Stable, Extensive Arm Reach

An independent spring system distributes weight evenly. The tubehead can be easily positioned and is stable for all procedures.

### Fully Maneuverable Tubehead

The modern contoured tubehead is easy to clean and is covered with a hygienic, porosity-free material.

**“...Radiographs are necessary for accurate evaluation and diagnosis...”**

\* Excerpted from the AAHA Dental Care Guidelines

**“Of all pets 2 years old or more, 70% to 85% have some degree of periodontal disease.”**

\* Bert Dodd, DVM, Dipl. AVDC, Faculty Texas  
A&M University College of Veterinary Medicine

**The majority of veterinary dentists use AFP equipment. They may be found in virtually all universities, major wet labs and veterinary dental training centers.**



## Unique Hand-Held Timer Features

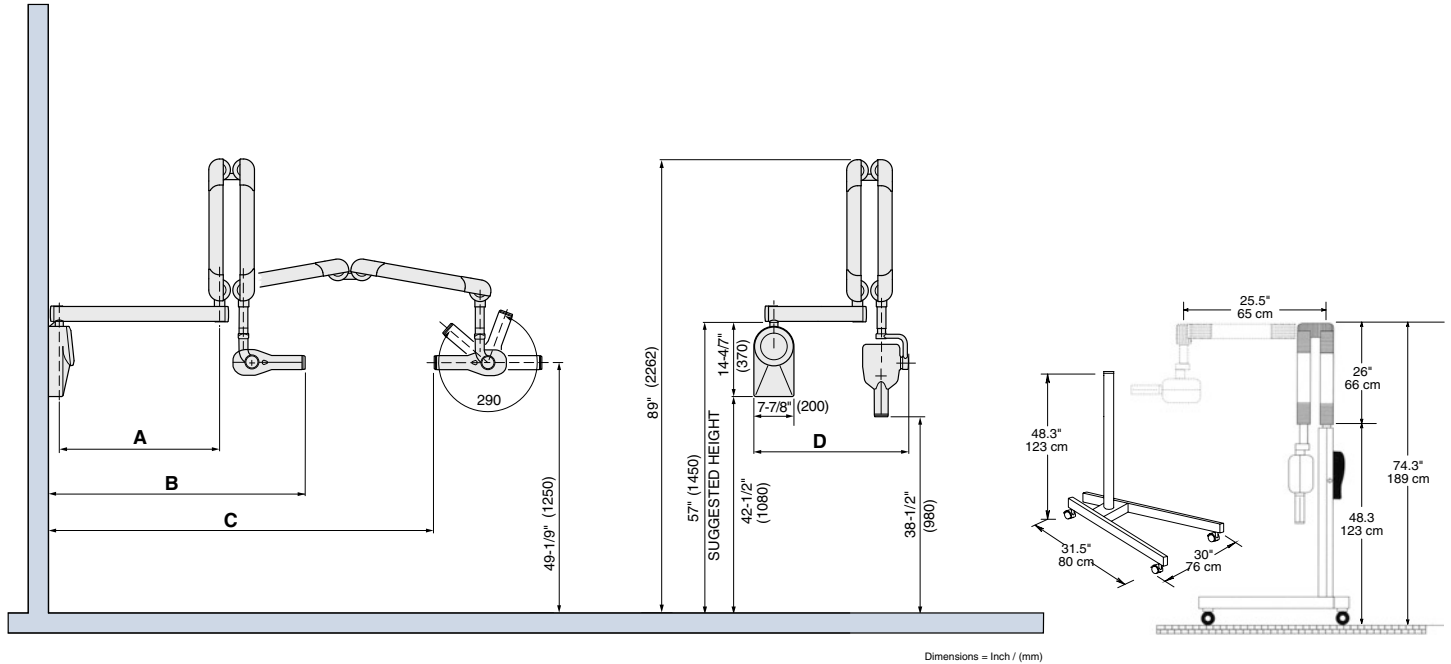
- Easy to read digital timer with quick and easy selection of upper and lower dog and cat teeth, paws and extremities of small animal patients. Full and accurate control of all X-Ray parameters to deliver consistent diagnostic radiographs.
- Visual and audible signals to indicate the exposure has been made.
- Duty cycle circuit protects the X-Ray tube, delivering maximum life.
- Timer control may be mounted on the wall or on the optional Mobile Stand.
- The last setting for a patient is retained in memory for subsequent images.





Visionary Imaging

# AFP Imaging Solutions for Today and Beyond ...



Dimensional Data	
TOTAL REACH (B)	
Extension arm A = 11-13/16" (30cm)	30-7/8" (78.5 cm)
Extension arm A = 23-5/8" (60cm)	42-3/4" (108.5 cm)
Extension arm A = 31-1/2" (80cm)*	50-5/8" (128.5 cm)
TOTAL INSIDE REACH (C)	
Extension arm A = 11-13/16" (30cm)	56-5/16" (143 cm)
Extension arm A = 23-5/8" (60cm)	68-1/8" (173 cm)
Extension arm A = 31-1/2" (80cm)*	76" (193 cm)
PARKED DIMENSIONS (D)	
Extension arm A = 11-13/16" (30cm)	26" (66 cm)
Extension arm A = 23-5/8" (60cm)	37.5" (96 cm)
Extension arm A = 31-1/2" (80cm)*	45" (116 cm)

\* Standard size arm unless otherwise specified

Product Data	
Power supply	120V ±10% 60Hz 230V ±10% 50Hz
X-ray tube	70kV, 8mA
Focal spot	0.8mm IEC 336
Focus to skin distance	20cm (7-7/8") standard / 30cm (11-13/16") with optional collimator cone extension
X-ray field (at collimator tip)	Diameter 60mm (2-3/8") / 35x45mm (1-3/8"x1-3/4") with optional diaphragm
Duty cycle	1:32
Exposure times	0.02 to 1.28s
Anatomic programs	18 pre-set times
Shipping weight	102 Lbs (38 Kg)
Warranty	2 year limited

## The Total Veterinary Imaging Solution from AFP

- AFP VetTek Tables   ■ Digi-Vet 1417 CR   ■ Image-Vet 70ACP Dental X-Ray
- EVA-Vet Dental Digital Sensors   ■ Digi-Vet Equine DR

**AFP Imaging Corporation**  
 250 Clearbrook Road, Elmsford, NY 10523 USA  
 Phone: 914.592.6100 Toll Free: 800.592.6666 Fax: 914.592.6148  
 E-mail: marketing@afpimaging.com Web: www.afpimaging.com