



www.sedecal.com

Portable X-ray Units



SPECIFICATIONS

High Frequency X-ray Generators

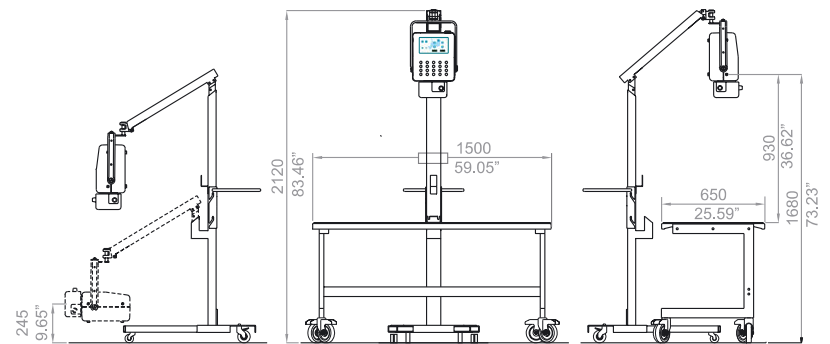
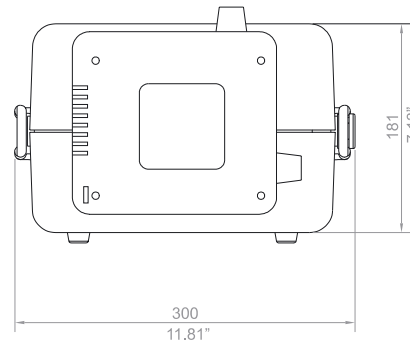
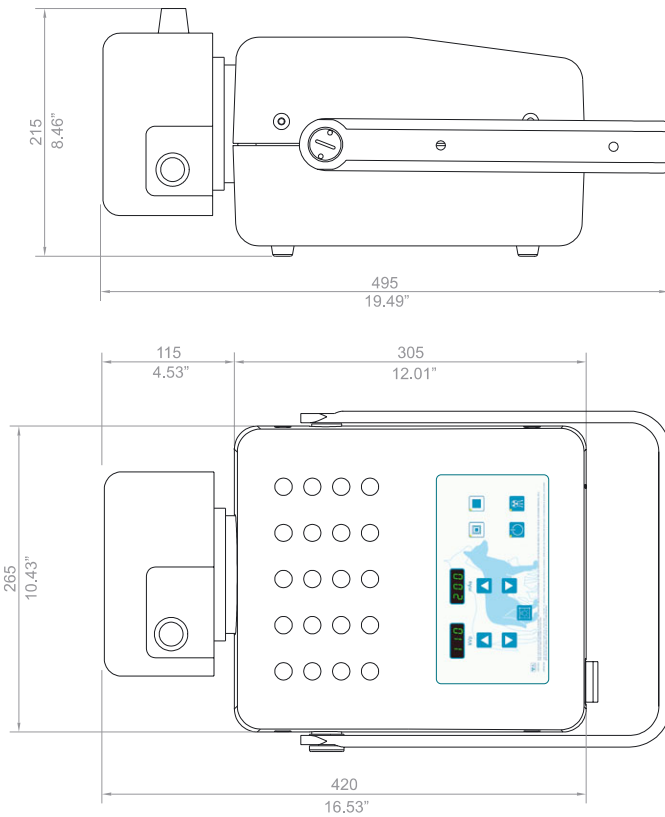
MODEL	SP-VET- 1.4	SP-VET- 2.0	SP-VET- 3.2	SP-VET- 4.0
CONSTANT POTENTIAL KW RATINGS	1.4	2.0	3.2	4.0
kVp RANGE in 1 kVp STEPS	40 - 80	40 - 100	40 - 100	40 - 110
HIGH FREQUENCY RIPPLE	300 kHz	300 kHz	300 kHz	300 kHz
mA STATIONS	16, 20	10, 12,5, 16, 20, 25, 32, 40	8, 10, 12,5, 16, 20, 25, 32, 40, 50, 64	5, 6,4, 8, 10, 12,5, 16, 20, 25, 32, 40, 50, 64, 80, 100
EXPOSURE TIME RANGE NUMBER of STATIONS	0.005 - 3.2 seconds 29 (in 25% steps)	0.003 - 4.0 seconds 33 (in 25% steps)	0.002 - 6.4 seconds 37 (in 25% steps)	0.001 - 10 seconds 41 (in 25% steps)
mAs RANGE NUMBER of STATIONS	0.1 - 50 mAs 28 (in 25% steps)	0.1 - 64 mAs 29 (in 25% steps)	0.1 - 100 mAs 31 (in 25% steps)	0.1 - 200 mAs 34 (in 25% steps)
X-RAY TUBE Stationary Anode TWO Focal Spots: Anode Heat Storage Capacity Target Angle	Yes 0.6 mm - 1.5 mm 40.000 HU 14°	Yes 0.6 mm - 1.5 mm 40.000 HU 14°	Yes 0.6 mm - 1.5 mm 40.000 HU 14°	Yes 0.6 mm - 1.5 mm 40.000 HU 14°
POWER CORD EXPOSURE CORD	6 meters (20 ft) 3 meters (10 ft)			
LINE VOLTAGE	Single-Phase Line Automatic Regulation from 90 to 264 Vca - (50-60) Hz			
LINE POWER REQUIREMENTS Line Current at 110 VCA Line Current at 230 VCA	16 A 8 A	16 A 8 A	25 A 12 A	32 A 16 A
STAND WEIGHT (X-ray Unit only)	19 kg (41.9 lb.) 56 kg (123.4 lb.)			



www.sedec.com

Portable X-ray Units

Dimensions



Specifications subject to change without prior notice